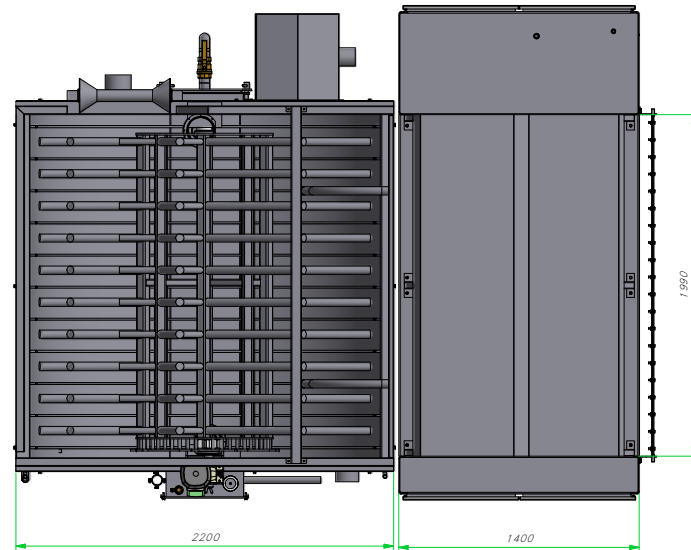
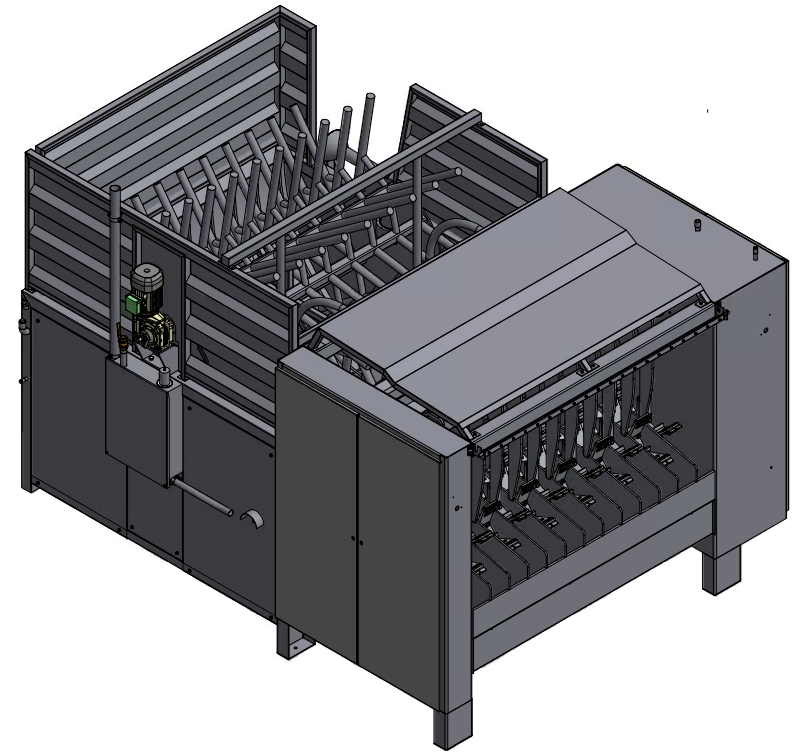
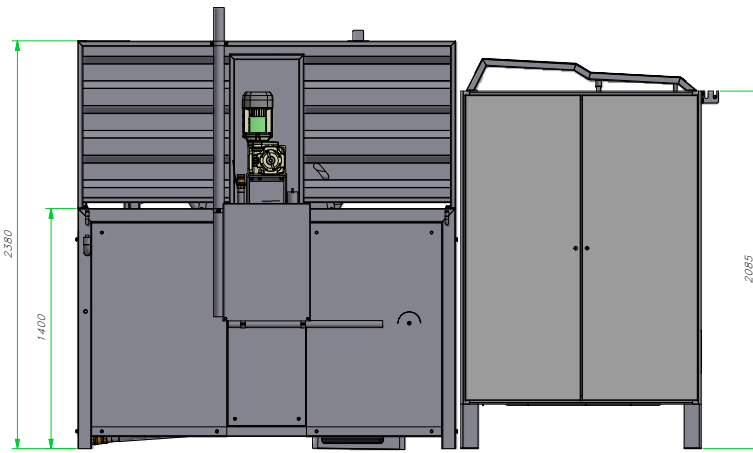
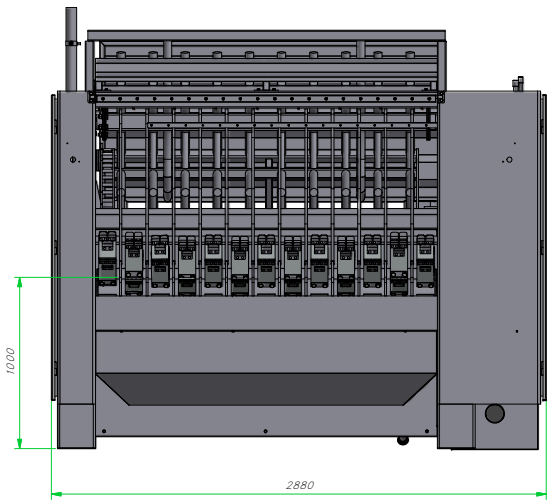


Pass through Scalding Tank- Star Type 60pc/hour combined with De-hairing Machine- Gate Type 60pc/hour



Pass through Scalding Tank- Star Type 120pc/ hour combined with De-hairing Machine -Gate Type 120pc/hour

